

RC 18

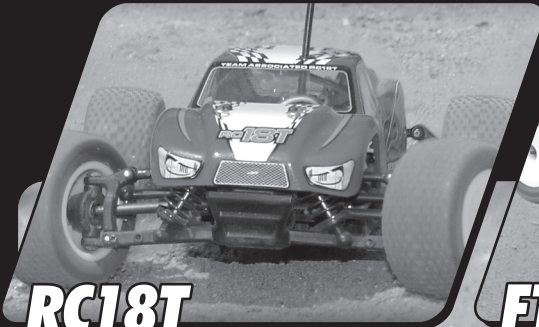
1:18 Series Manual and Parts Listing

20100: 18T RTR 4wd Mini Truck

20102: 18T Factory Team 4wd Mini Truck Kit

20105: 18B RTR 4wd Mini Buggy

20110: 18MT RTR 4wd Monster Truck



RC18T



FT RC18T



RC18B



RC18MT

20100: 18T RTR 4wd Mini Truck

Prebuilt, Ready to Run 4wd Race Truck! Includes the following options:

- Mini-Pin Racing Tires
- White Dish Racing Wheels
- Super-370 Size Motor
- Choice of Red or Blue Pre-Painted Race Truck Bodies
- Individual Servo, ESC & Receiver
- 1100mah Battery & Wall Charger

20102: 18T Factory Team 4wd Mini Truck Kit

Unbuilt kit with no electronics. Includes the following Factory Team option parts:

- Blue Aluminum Dogbones
- Blue Aluminum Finned Motor Mount
- Carbide Differential Balls
- Blue Woven Graphite Battery Strap
- Blue Aluminum Threaded Shocks
- Blue Aluminum Wheelnuts
- Titanium Turnbuckles
- Clear Body, Decals & Window Masks
- Includes Extra Hitec Servo Saver
- Includes a 12t, 13t & 14t Pinion

20105: 18B RTR 4wd Mini Buggy

Prebuilt, Ready to Run 4wd Race Buggy! Includes the following options:

- Mini-Pin Racing Tires
- White Spoked Racing Wheels
- Super-370 Size Motor
- Choice of Red or Orange Pre-Painted Buggy Bodies
- Individual Servo, ESC & Receiver
- 1100mah Battery & Wall Charger

20110: 18MT RTR 4wd Monster Truck

Prebuilt, Ready to Run 4wd Monster Truck! Includes the following options:

- Large, AE Pattern Monster Truck Tires
- Chrome Monster Truck Wheels
- Super-370 Size Motor
- American Flag-Design Monster Truck Body
- Individual Servo, ESC and Receiver
- Bed-Mounted AE-Logo Flag
- 1100mah Battery & Wall Charger

1:18 Scale 4wd Electric Vehicles

Thank you for choosing Team Associated.

Team Associated wants you to enjoy driving and maintaining of your new RC Car. If you come across any problems or need help with the maintenance of your RC Car, please give us a call and we will do our very best to help you.

The RTR

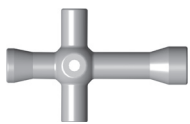
Your new RC Car comes factory assembled with radio gear and battery. You will need to purchase 8 AA batteries for your transmitter. Please see the Quick Start Guide for installing your AA batteries.

The Manual

Examine each step carefully before building. Special notes for each step will be marked with a ▼.

Certain steps will notate left and right sides of the vehicle. For assembly, the left side of the vehicle is the 'driver' side of the car....it would be built as if you are sitting in the driver's seat.

recommended tools for assembly and maintenance



4-way wrench
(included)



hex wrench, 1.5mm, 3/32"
(included)



#1 Phillips screwdriver

items required to operate your vehicle

AA Size Battery

8 AA size batteries

Customer Support

Tel: 714.850.9342
Fax: 714.850.1744

Hours: 8:00am - 4:00pm, pst

<http://www.rc10.com>

<http://www.TeamAssociated.com>



recommended servo list

using kit mount:

XP C1016 • ACE C1016 • Airtronics 94091
Futaba S3106

using optional mount (part # 21049, included in FT kit):
Hitec HS-56HB

Chassis Specs

	18T	18MT	18B
Length:	218mm	225mm	235mm
Width:	182mm	188mm	182mm
Wheelbase:	154mm	154mm	154mm
Internal Gear Ratio:	2.5:1	2.5:1	2.5:1
Weight:	540g (with body)	605g (with body)	541g (with body)
Drivetrain:	Shaft drive	Shaft drive	Shaft drive

► Bag A - Step 1



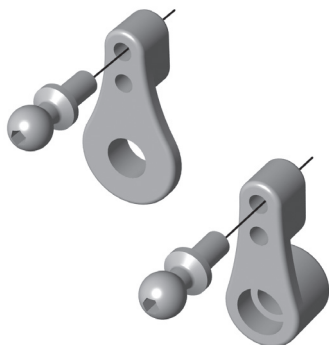
21041, qty 1
servo saver



21050, qty 1
steering bellcrank



21082, 21240, qty 2
ball stud, 5mm



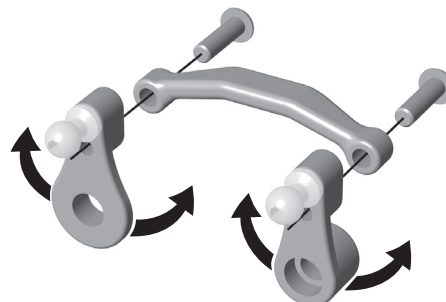
► Step 2



21041, qty 2
M2.5 x 9 bhp



21050, qty 1
steering drag link



! should be 'free' movement

► Step 3



21041, qty 1
M2.0 x 9 bhp
XP/Futaba



21041, qty 1
servo saver
bushing
XP/Futaba



21041, qty 1
servo saver spring



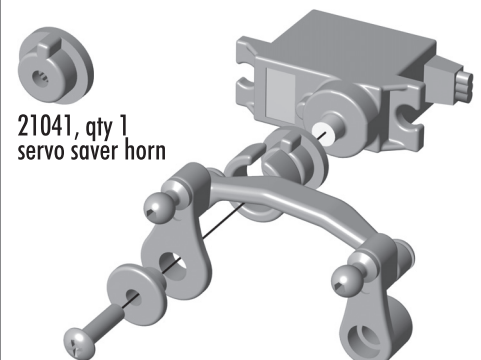
21041, qty 2
M2.5 x 9 bhp
Sanwa/Airtronics



21049, qty 1
aluminum servo saver bushing
Hitec/Sanwa/Airtronics



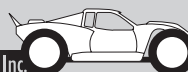
21041, qty 1
servo saver horn



! if you are using a Hitec HS-56 servo, please refer to the Hitec servo saver bag for detailed instructions on installing the Hitec servo saver assembly (FT Kit only)

Associated Electrics, Inc.

3585 Cadillac Ave.
Costa Mesa, CA 92626 USA



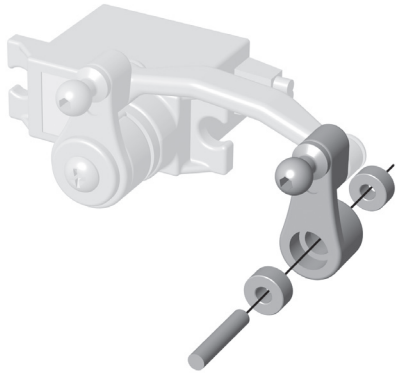
▶ Step 4



21050, qty 2
steering bellcrank
bushing



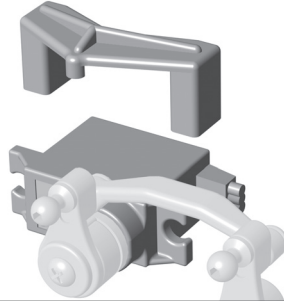
21050, qty 1
steering bellcrank
hinge pin



▶ Step 5



21040, qty 1
servo mount



! if you are using a Hitec HS-56 servo,
please refer to the Hitec servo bag
for detailed instructions on installing the
servo with the Hitec mount

▶ Bag B - Step 1



21027, qty 1
diff outdrive (long)



21115, qty 1
diff drive ring

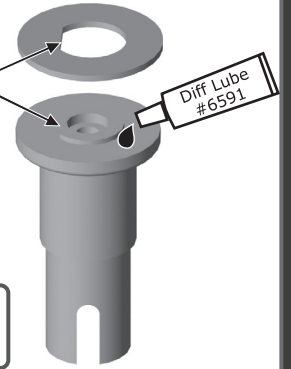


align
flat spots

Diff Lube
#6591



build 2
differentials



▶ Step 2



21027, qty 1
diff outdrive (short)

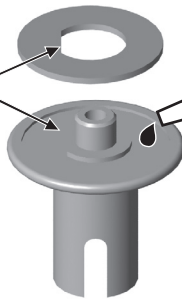


21115, qty 1
diff drive ring



align
flat spots

Diff Lube
#6591



▶ Step 3



21022, qty 1
diff gear



▶ Step 4

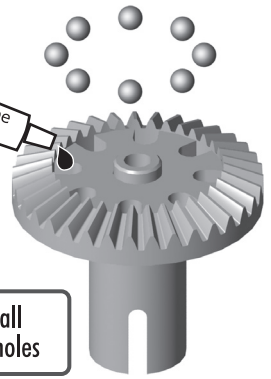


21115, **21116***, qty 8
diff balls, 2mm

Diff Lube
#6591



fill all
ball holes



▶ Step 5



21115, qty 3
thrust washer



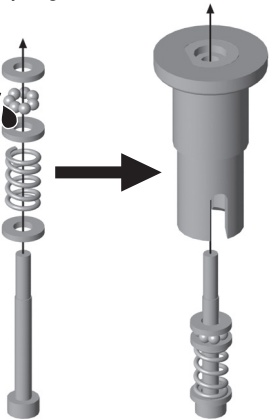
21115, qty 1
diff spring



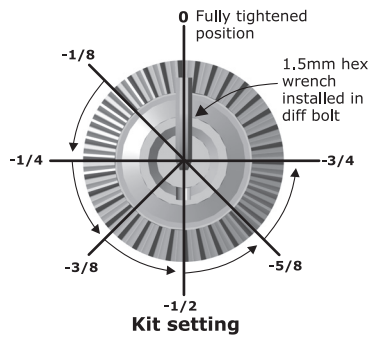
21115, qty 1
diff bolt

Black Grease
#6588

21115, qty 7
thrust balls, 1.5mm



▶ Step 6



! Do not over-tighten
diff bolt!

When fully compressed,
set at 1/2 turn out
(see diagram)



▶ Step 7



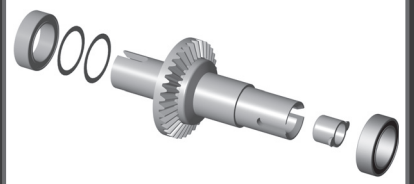
21027, qty 1
dogbone spring
cup



21106, qty 2
8 x 12 x 3.5 bearing
cup



21141, qty 2
18T diff shim



▶ Bag C - Step 1

21001, qty 1 chassis
 21025, qty 2 gearbox cases
 21077 55t(B/T), qty 1
 21078 60t(MT), qty 1 gear cover

25196, qty 2 M2 x 8 fhps

see gearing chart, page 11

▶ Step 2

25196, qty 2 M2 x 8 fhps

▶ Step 3

note direction of differentials

▶ Step 4

21022, qty 2 input bevel gear
 21033 (B/T), qty 1 55t spur gear
 21035 (MT), qty 1 60t spur gear

21089, qty 1 main driveshaft

21105, qty 2 4 x 8 x 3 bearing
 21106, qty 1 8 x 12 x 3.5 bearing

▶ Step 5

21133, qty 2 M2.5 x 6 bhps

▶ Bag D - Step 1

21017, **21221**, qty 1 18T/18MT shock tower, front
 21082, **21241**, qty 2 ballstud, 5mm

21245, **21265**, qty 1 18B shock tower, front

18T & 18MT 18B

front

▶ Step 2

21017, **21222**, qty 1 18T/18MT shock tower, rear
 21082, **21241**, qty 2 ballstud, 5mm

21245, **21266**, qty 1 18B shock tower, rear

18T & 18MT 18B

rear

▶ Step 3

21134, qty 2 M2.5 x 9 bhps
 21248, qty 2 18B wing mount

18B

rear

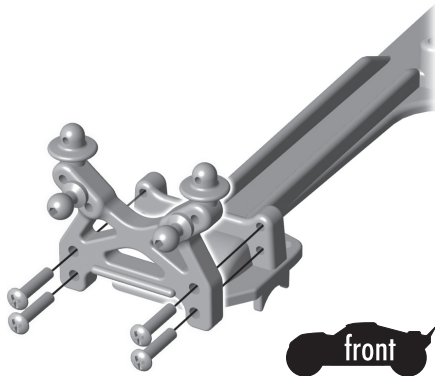
▶ Step 4



21259, qty 1
chassis top plate



21132, qty 4
M2 x 9 bhps

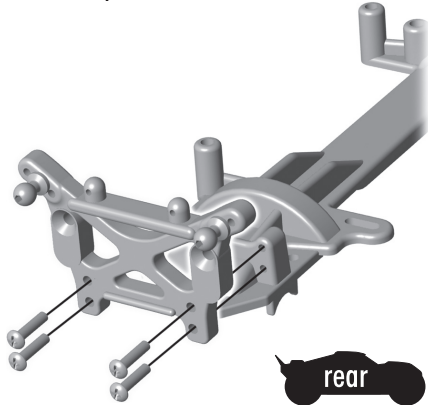


front

▶ Step 5



21132, qty 4
M2 x 9 bhps



rear

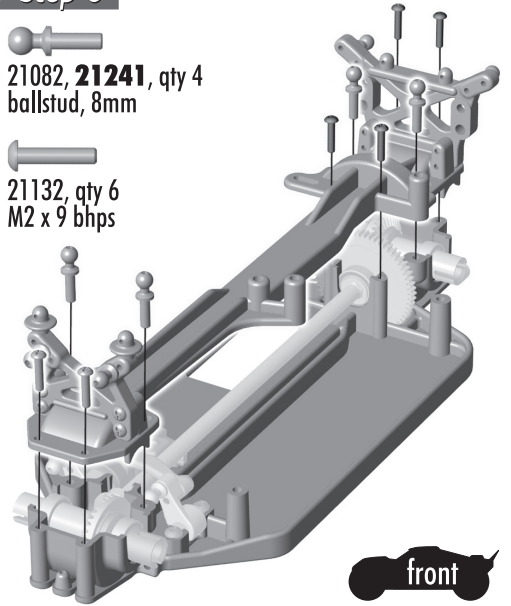
▶ Step 6



21082, **21241**, qty 4
ballstud, 8mm



21132, qty 6
M2 x 9 bhps



front

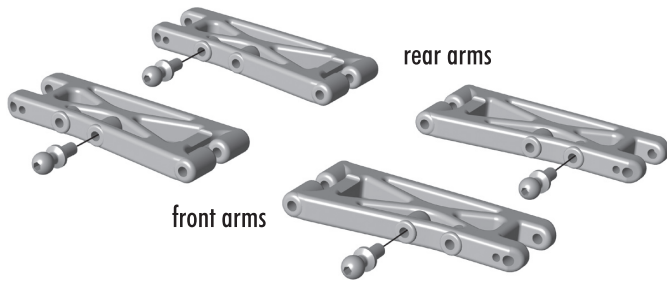
▶ Bag E - Step 1



21082, **21241**, qty 4
ballstud, 5mm



21008, **21220**, qty 4
suspension arm



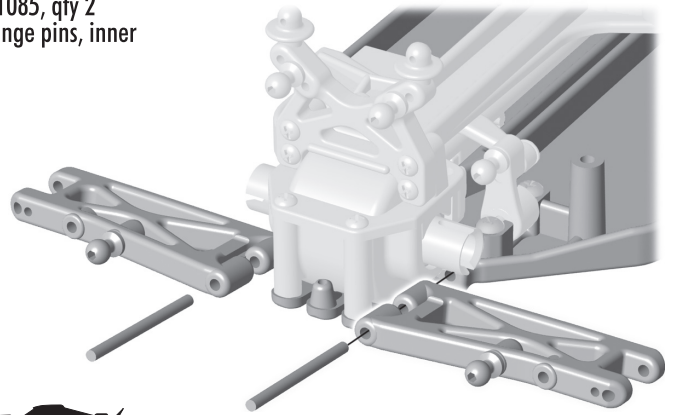
front arms

rear arms

▶ Step 2



21085, qty 2
hinge pins, inner



front

▶ Step 3



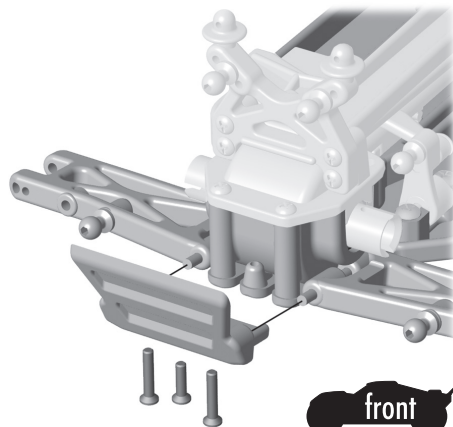
21005, qty 1
front bumper/arm
mount



21135, qty 2
M2 x 12 fhps



25196, qty 1
M2 x 8 fhps

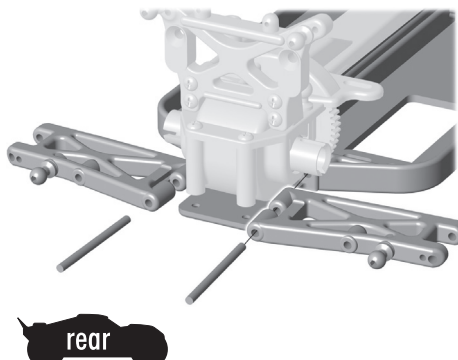


front

▶ Step 4



21085, qty 2
hinge pins, inner



rear

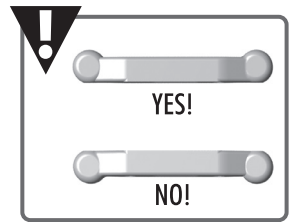
▶ Step 5



21005, qty 1
rear arm mount

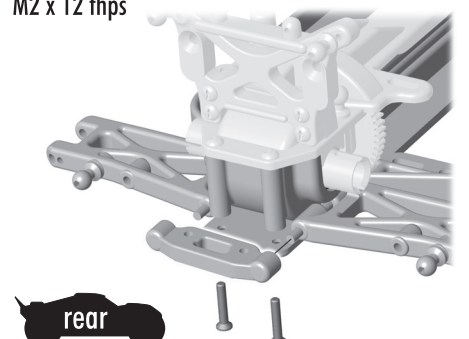


21135, qty 2
M2 x 12 fhps



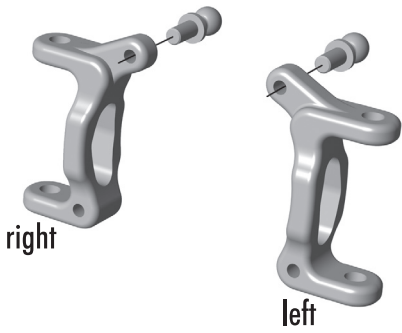
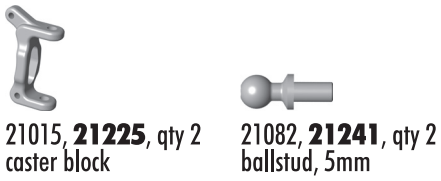
YES!

NO!

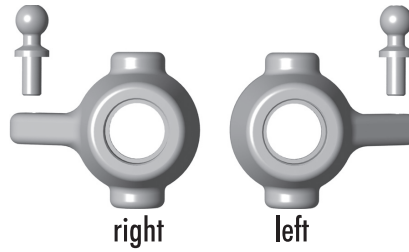
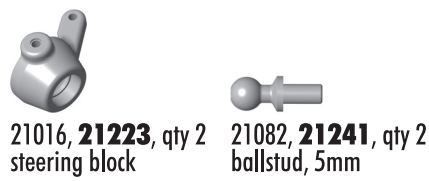


rear

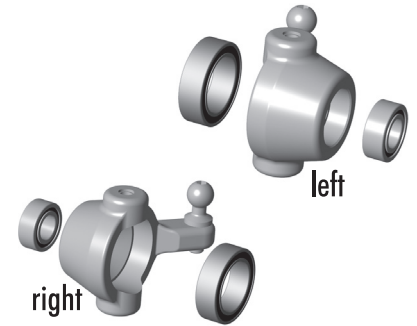
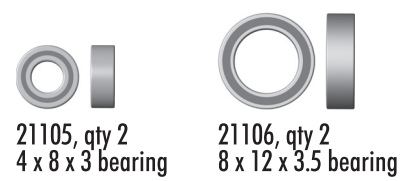
▶ Bag F - Step 1



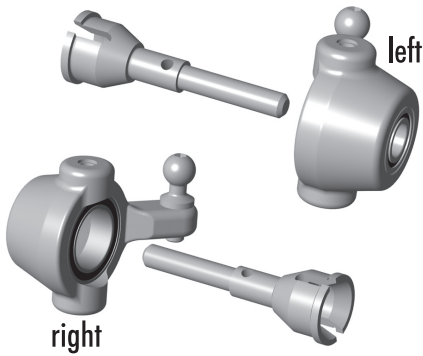
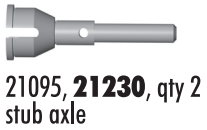
▶ Step 2



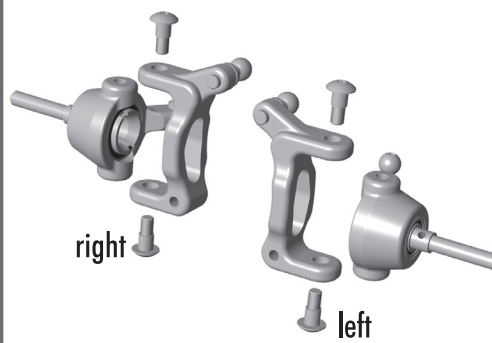
▶ Step 3



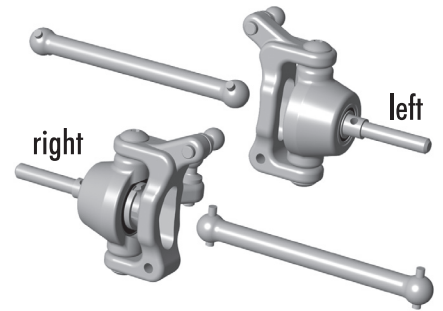
▶ Step 4



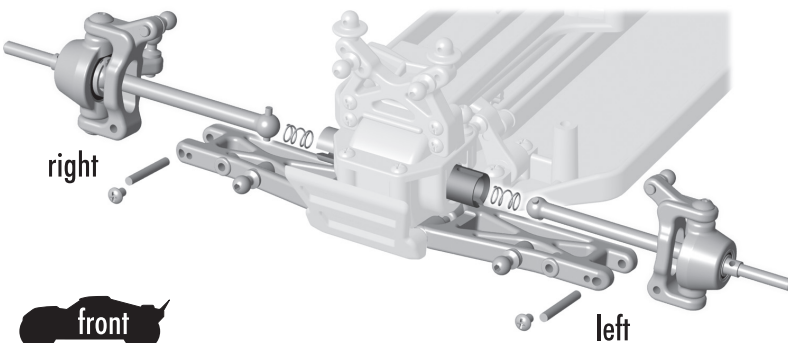
▶ Step 5



▶ Step 6



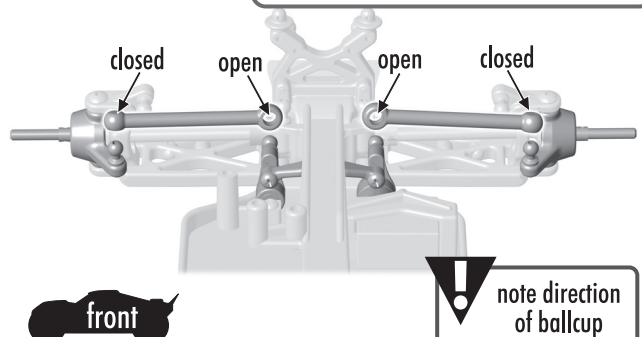
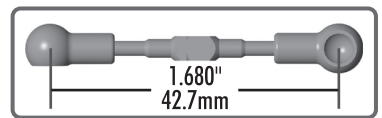
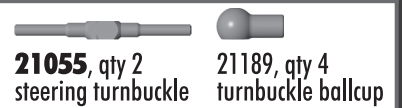
▶ Step 7



▶ Step 8



Factory Team Only



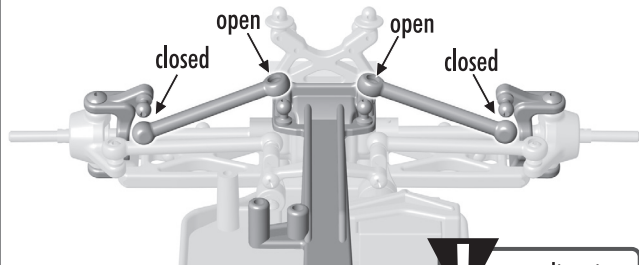
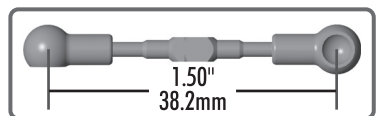
Step 9

21053, qty 2
suspension upper tierod
(short)

Factory Team Only

21055, qty 2
camber turnbuckle

21189, qty 4
turnbuckle ballcup



front

! note direction
of ballcup

Step 10

21010, 21224, qty 2
rear hub carrier

left

21082, 21241, qty 2
ballstud, 5mm

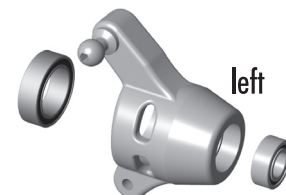


right

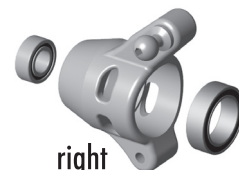
Step 11

21105, qty 2
4 x 8x3 bearing

21106, qty 2
8 x 12 x 3.5 bearing



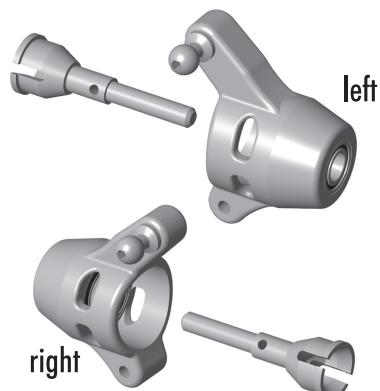
left



right

Step 12

21095, 21230, qty 2
stub axle

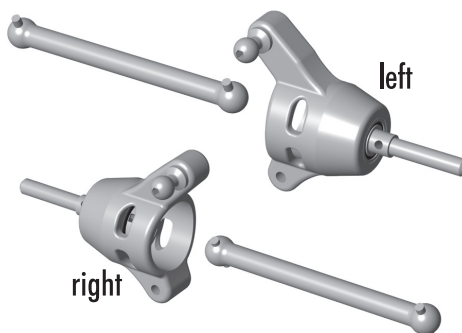


left

right

Step 13

21030, 21031, qty 2
dogbone



left

right

Having Problems?

Associated Electrics, Inc.

3585 Cadillac Ave.
Costa Mesa, CA 92626 USA

Customer Support

Tel: 714.850.9342
Fax: 714.850.1744

Hours: 8:00am - 4:00pm, pst

<http://www.rc10.com>
<http://www.TeamAssociated.com>

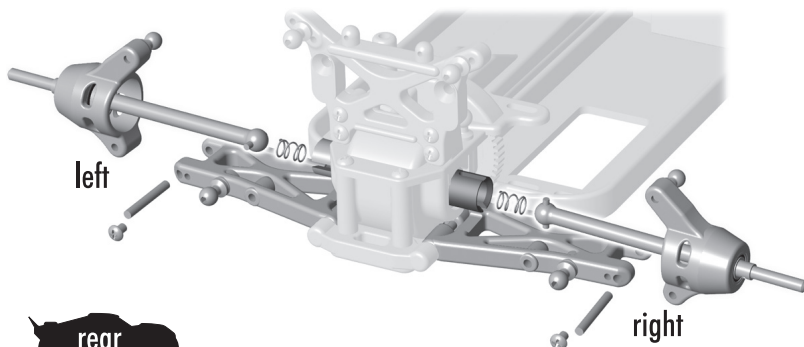


Step 14

4118, 21030, qty 2
dogbone spring

21085, qty 2
hinge pins, outer

21130, qty 2
M2 x 3 bhps



left

right

rear

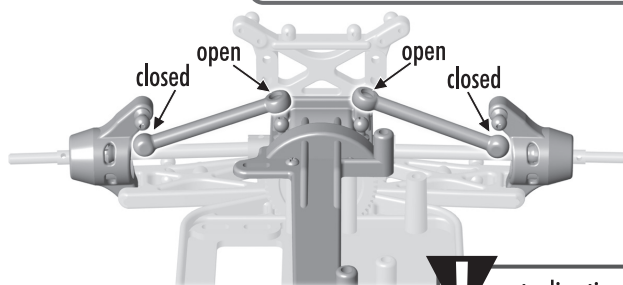
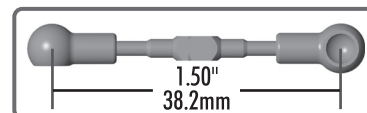
Step 15

21053, qty 2
suspension upper tierod
(short)

Factory Team Only

21055, qty 2
camber turnbuckle

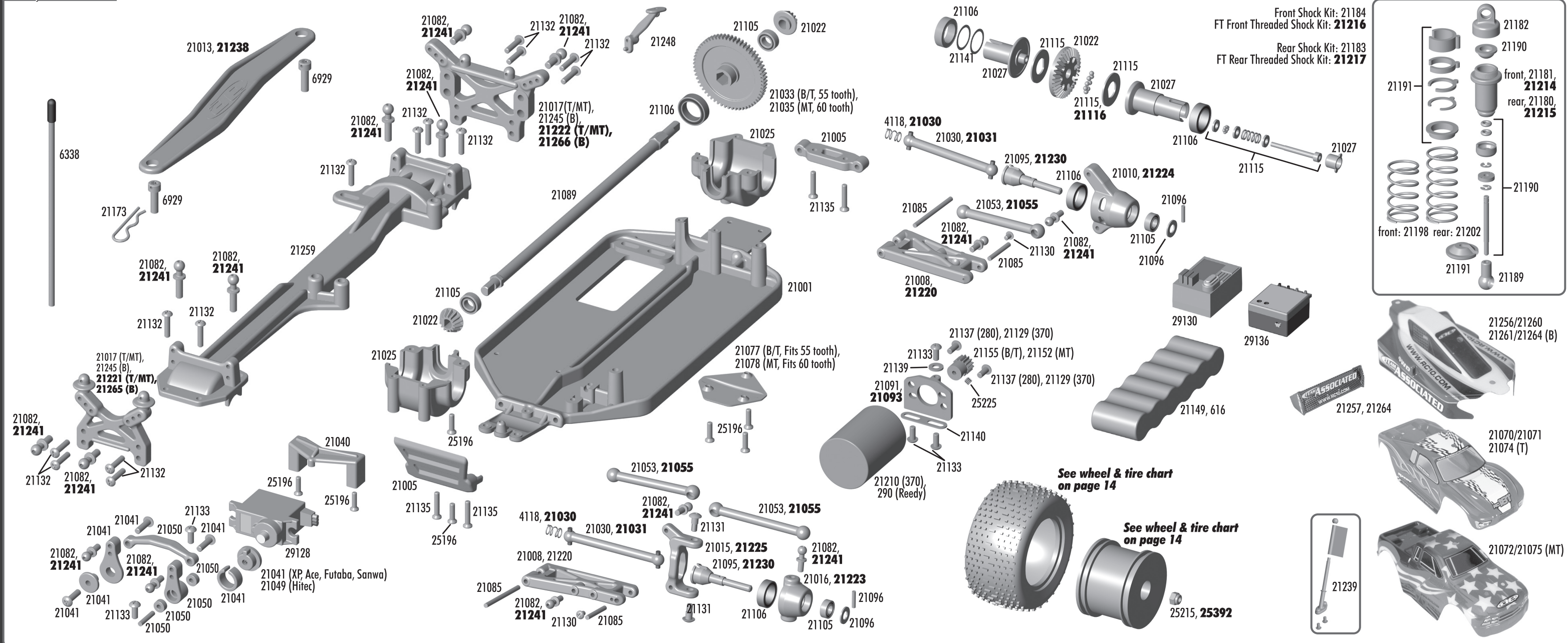
21189, qty 4
turnbuckle ballcup



rear

! note direction
of ballcup

Exploded View



Parts List

4118	.014 Spring (Dogbone Spring)	Pr.	\$2.00	21053	Suspension Linkage	Set	\$3.99	21131	M2.5 x 3 BHPS	4	\$2.50	21189	Ballcup, short, for shocks	12	\$2.99
6338	Antenna Tube & Cap	1	2.00	21069	Body Decal Sheet & Window Mask (T/MT)	Set	3.99	21132	M2 x 9 BHPS	20	2.99	21190	Shock Rebuild Kit, rebuilds 4 shocks	Set	9.99
21001	Chassis	1	6.99	21070	Truck Painted Body, blue, with decals (T/MT)	1	19.99	21133	M2.5 x 6 BHPS	20	2.99	21197	Shock Spring, front, silver, 2.55 lb/in	Pr.	2.50
21005	Arm Mount, front & rear	Set	2.99	21071	Truck Painted Body, red, with decals (T/MT)	1	19.99	21134	M2.5 x 9 BHPS	20	2.99	21198	Shock Spring, front, blue, 3.0 lb/in	Pr.	2.50
21008	Suspension Arm	Pr.	2.99	21072	MT Flag Body, with decals (T/MT)	1	17.99	21135	M2 x 12 FHPS	20	2.99	21199	Shock Spring, front, gold, 3.45 lb/in	Pr.	2.50
21010	Rear Hub Carrier	2	2.99	21074	Truck Clear Body, w/decals/window mask (T/MT)	1	13.99	21137	M2.5 x 4 BHPS	20	2.99	21201	Shock Spring, rear, silver, 1.64 lb/in	Pr.	2.50
21013	Battery Brace, 4 cell, 5/6 cell	Set	3.99	21075	MT Clear Body, w/decals/window mask (T/MT)	1	11.99	21139	M2.5 Washers	20	1.99	21202	Shock Shaft, rear, blue, 1.90 lb/in	Pr.	2.50
21015	Caster Block, left or right	2	2.99	21076	MT Decal Sheet & Window Masks	1	3.99	21140	Motor Mount Plate	2	1.99	21256	Buggy Clear Body, Wing & Dirt Deflectors (B)	Set	11.99
21016	Steering Block	2	2.99	21077	Chassis Gear Cover - 55t	1	1.99	21141	Diff Shims	4	1.00	21257	Buggy Clear Wing & Dirt Deflectors (B)	Set	2.99
21017	Shock Towers, front & rear (T/MT)	Pr.	3.99	21078	Chassis Gear Cover - 60t	1	1.99	21146	Screw Set	Set	6.99	21258	Buggy Decal Sheet & Window Mask (B)	1	3.99
21022	Differential & Input Gear	Set	3.99	21082	Ballstud Set	Set	8.99	21152	Pinion Gear, 10t (MT kit)	1	3.99	21259	Top Plate	1	3.99
21024	Complete Differential Kit	1	8.99	21085	Hingepin Set	Set	2.99	21153	Pinion Gear, 12t	1	3.99	21260	Buggy Painted Body, Red, with decals (B)	1	19.99
21025	Gearbox Cases	2	4.99	21089	Main Driveshaft	1	6.99	21154	Pinion Gear, 13t	1	3.99	21261	Buggy Painted Body, Orange, with decals (B)	1	19.99
21027	Differential Outdrives, long & short	Set	2.99	21091	Motor Mount	1	3.99	21155	Pinion Gear, 14t (B/T Kit)	1	3.99	21264	Buggy Graphite-Pattern Wing/Dirt Deflectors (B)	Set	3.99
21030	Dogbones & Springs	Set	3.99	21095	Stub Axles	2	8.99	21156	Pinion Gear, 15t	1	3.99	25196	M2 x 8 FHPS	20	4.99
21033	Spur Gear/Drive Cup, 55t (B/T)	1	2.99	21096	Stub Axle Pins & Spacers	Set	2.99	21157	Pinion Gear, 11t	1	3.99	25215	M3 Locknuts	20	2.99
21035	Spur Gear/Drive Cup, 60t (MT)	1	2.99	21105	Bearing, 4 x 8 x 3	2	4.50	21173	Body Clips	12	1.99	25225	M3 x 3 Setscrews	20	4.50
21040	Servo Mount	1	1.99	21106	Bearing, 8 x 12 x 3.5, rubber sealed	2	4.50	21180	Shock Body, rear	Pr.	2.50	21203	Shock Spring, rear, gold, 2.35 lb/in	Pr.	2.50
21041	Servo Saver, XP, Ace, Futaba, Sanwa	Set	2.99	21107	Bearing Set	Set	27.99	21181	Shock Body, front	Pr.	2.50	21239	Flag Kit	1	6.99
21049	Servo Saver, Hitec HS-56	Set	2.99	21115	Differential Rebuild Kit	1	3.99	21182	Shock Caps	4	3.50	21245	Shock Tower, front & rear (B)	1	3.99
21050	Steering Bellcrank Parts	Set	2.99	21129	M3 x 5 BHPS	20	1.99	21183	Shock Kit, rear	Pr.	9.99	21248	Wing Mount (B)	2	2.99
21052	Turnbuckle Set, steel, with ballcups	Set	7.99	21130	M2 x 3 BHPS	20	2.99	21184	Shock Kit, front	Pr.	9.99				
				21055	Suspension Linkage	Set	3.99								
				21069	Body Decal Sheet & Window Mask (T/MT)	Set	3.99								
				21070	Truck Painted Body, blue, with decals (T/MT)	1	19.99								
				21071	Truck Painted Body, red, with decals (T/MT)	1	19.99								
				21072	MT Flag Body, with decals (T/MT)	1	17.99								
				21074	Truck Clear Body, w/decals/window mask (T/MT)	1	13.99								
				21075	MT Clear Body, w/decals/window mask (T/MT)	1	11.99								
				21076	MT Decal Sheet & Window Masks	1	3.99								
				21077	Chassis Gear Cover - 55t	1	1.99								
				21078	Chassis Gear Cover - 60t	1	1.99								
				21082	Ballstud Set	Set	8.99								
				21085	Hingepin Set	Set	2.99								
				21089	Main Driveshaft	1	6.99								
				21091	Motor Mount	1	3.99								
				21095	Stub Axles	2	8.99								
				21096	Stub Axle Pins & Spacers	Set	2.99								
				21105	Bearing, 4 x 8 x 3	2	4.50								
				21106	Bearing, 8 x 12 x 3.5, rubber sealed	2	4.50								
				21107	Bearing Set	Set	27.99								
				21115	Differential Rebuild Kit	1	3.99								
				21129	M3 x 5 BHPS	20	1.99								
				21130	M2 x 3 BHPS	20	2.99								
				21053	Suspension Linkage	Set	3.99								
				21069	Body Decal Sheet & Window Mask (T/MT)	Set	3.99								
				21070	Truck Painted Body, blue, with decals (T/MT)	1	19.99								
				21071	Truck Painted Body, red, with decals (T/MT)	1	19.99								
				21072	MT Flag Body, with decals (T/MT)	1	17.99								
				21074	Truck Clear Body, w/decals/window mask (T/MT)	1	13.99								
				21075	MT Clear Body, w/decals/window mask (T/MT)	1	11.99								
				21076	MT Decal Sheet & Window Masks	1	3.99								
				21077	Chassis Gear Cover - 55t	1	1.99								
				21078	Chassis Gear Cover - 60t	1	1.99								
				21082	Ballstud Set	Set	8.99								
				21085	Hingepin Set	Set	2.99								
				21089	Main Driveshaft	1	6.99								
				21091	Motor Mount	1	3.99								
				21095	Stub Axles	2	8.99								
				21096	Stub Axle Pins & Spacers	Set	2.99								
				21105	Bearing, 4 x 8 x 3	2	4.50								
				21106	Bearing, 8 x 12 x 3.5, rubber sealed	2	4.50								
				21107	Bearing Set	Set	27.99								
				21115	Differential Rebuild Kit	1	3.99								
				21129	M3 x 5 BHPS	20	1.99								
				21130	M2 x 3 BHPS	20	2.99								
				21030	Dogbones & Springs	Set	3.99								
				21033	Spur Gear/Drive Cup, 55t (B/T)	1	2.99								
				21035	Spur Gear/Drive Cup, 60t (MT)	1	2.99								
				21040	Servo Mount	1	1.99								
				21041	Servo Saver, XP, Ace, Futaba, Sanwa	Set	2.99								
				21049	Servo Saver, Hitec HS-56	Set	2.99								
				21050	Steering Bellcrank Parts	Set	2.99								
				21052	Turnbuckle Set, steel, with ballcups	Set	7.99								
				21055	Suspension Linkage	Set	3.99								
				21069	Body Decal Sheet & Window Mask (T/MT)	Set	3.99								
				21070	Truck Painted Body, blue, with decals (T/MT)	1	19.99								
				21071	Truck Painted Body, red, with decals (T/MT)	1	19.99								
				21072	MT Flag Body, with decals (T/MT)	1	17.99								
				21074	Truck Clear Body, w/decals/window mask (T/MT)	1	13.99								
				21075	MT Clear Body, w/decals/window mask (T/MT)	1	11.99								
				21076	MT Decal Sheet & Window Masks	1	3.99								
				21077	Chassis Gear Cover - 55t	1	1.99								
				21078	Chassis Gear Cover - 60t	1	1.99								
				21082	Ballstud Set	Set	8.99								
				21085	Hingepin Set	Set	2.99								
				21089	Main Driveshaft	1	6.99								
				21091	Motor Mount	1	3.99								
				21095	Stub Axles	2	8.99								
				21096	Stub Axle Pins & Spacers	Set	2.99								
				21105	Bearing, 4 x 8 x 3	2	4.50								
				21106	Bearing, 8 x 12 x 3.5, rubber sealed	2	4.50								
				21107	Bearing Set	Set	27.99								
				21115	Differential Rebuild Kit	1	3.99								
				21129	M3 x 5 BHPS	20	1.99								
				21130	M2 x 3 BHPS	20	2.99								
				21030	Dogbones & Springs	Set	3.99								
				21033											

▶ Bag G - Step 1 Front Shocks



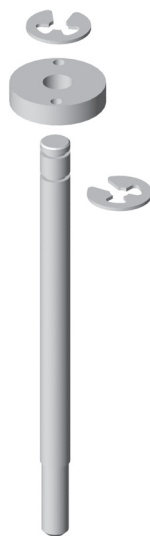
21190, qty 2 e-dip



21190, qty 1 piston



21190, qty 1 front shock shaft (short)



! build 2 shocks

▶ Step 2



21181, **21214**, qty 1 front shock body (short)



21190, qty 2 o-ring

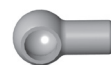


21190, qty 1 shock body seal cap



! cap should 'snap' in place

▶ Step 3



21189, qty 1 ball cup, short



#5422



! grip shaft (where shown) with needlenose pliers

▶ Step 4 Rear Shocks



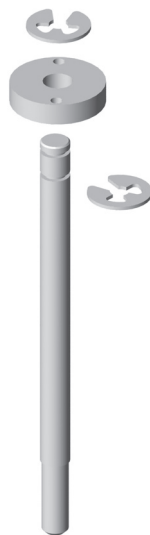
21190, qty 2 e-dip



21190, qty 1 piston



21190, qty 1 rear shock shaft (long)



! build 2 shocks

▶ Step 5



21180, **21215**, qty 1 rear shock body (long)



21190, qty 2 o-ring

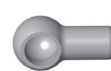


21190, qty 1 shock body seal cap



! cap should 'snap' in place

▶ Step 6



21189, qty 1 ball cup, short



#5422



! grip shaft (where shown) with needlenose pliers

▶ Step 7

fill to top with oil



#5422



move shaft up & down to remove air bubbles



fill to top with oil



#5422



install bladder



21190, qty 1 shock bladder

retain oil as you screw the cap on



21182, qty 1 shock cap

▶ Step 8 Front Shocks


21198, qty 1
front spring, blue, 3.0


21191, qty 1
upper spring perch


21191, qty 1
lower spring retainer

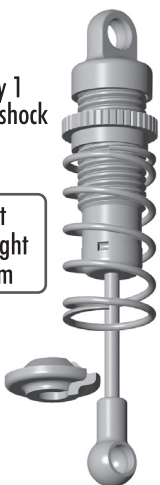

21191 - B, T & MT, qty 1 each
ride height clip, 5mm, 2mm



Factory Team Only


21214, qty 1
threaded shock collar

! adjust
ride height
to 7mm




front

▶ Step 9 Rear Shocks


21202, qty 1
rear spring, blue, 1.9lb


21191, qty 1
upper spring perch


21191, qty 1
lower spring retainer


21191 - B/T, qty 1
ride height clip, 5mm
21191 - MT, qty 1 each
ride height clip, 5mm,
2mm, 1 mm

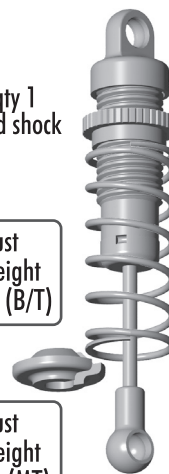


Factory Team Only


21215, qty 1
threaded shock collar

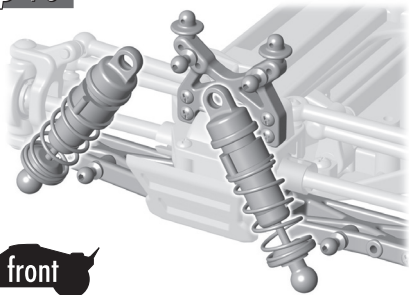
! adjust
ride height
to 5mm (B/T)

! adjust
ride height
to 8mm (MT)

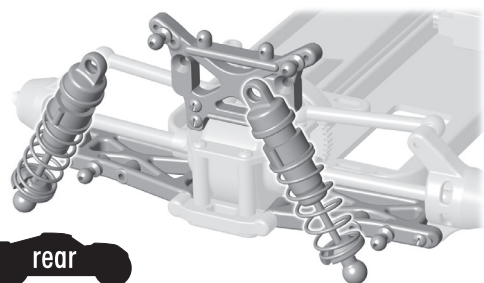


rear

▶ Step 10




front



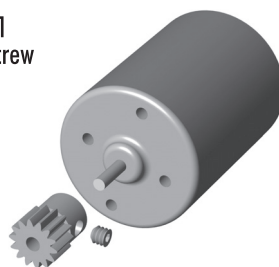
rear

▶ Bag H - Step 1


21210, qty 1
super 370 motor


21155 (B/T), qty 1
14t motor pinion
21152 (MT), qty 1
10t motor pinion


25225, qty 1
M3 x 3 setscrew

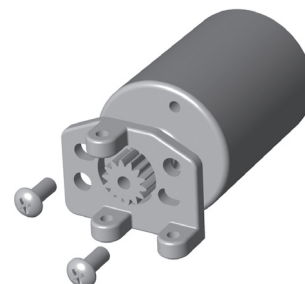


! refer below for proper
gearing for the motor you are using

▶ Step 2


21091, **21093**, qty 1
motor mount

21129, qty 2
M3 x 5 bhps



! assemble using holes that
best fit your motor

▶ 18B/T/MT Gear Chart

Motor	55t Spur	60t Spur	MT 60t Spur
Reedy Mini Max Motor - Large Track	12	13	11
Reedy Mini Max Motor - Short Track	-	12	10
Other Modified 280 Motor - Large Track	13	14	11
Other Modified 280 Motor - Short Track	12	13	10
Super 370 Size Motor - Large Track	13	14	11
Super 370 Size Motor - Short Track	12	13	10
Super 280 Motor - Large Track	14	15	-
Super 280 Motor - Short Track	13	14	-

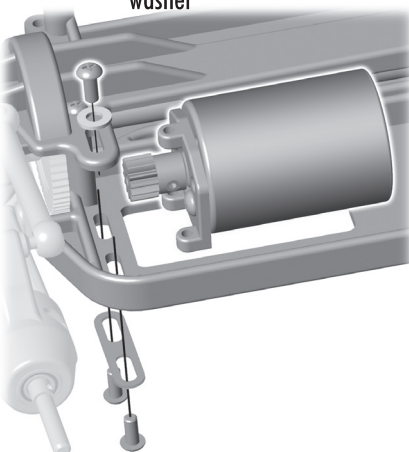
Motor gearing is a starting recommendation only. You may need to adjust your gearing according to your track size.

▶ Step 3


21133, qty 3
M2.5 x 6 bhps

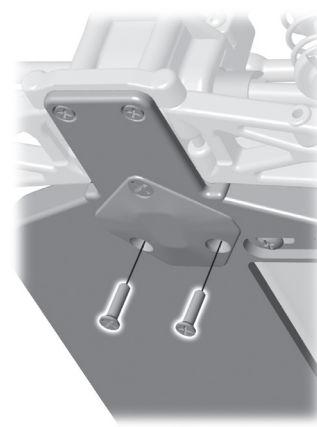
21139, qty 1
M2.6 x 6
washer

21140, qty 1
motor mount plate



▶ Step 4

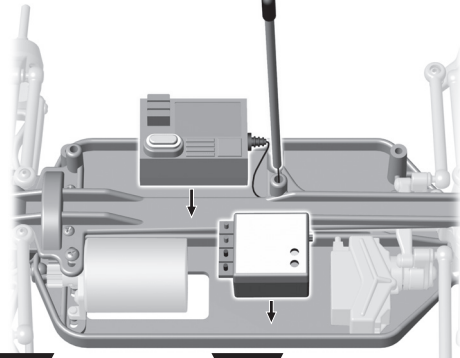

25196, qty 2
M2 x 8 fhps



▶ Step 5

6338, qty 1
antenna tube & cap

6727, qty 1
servo tape

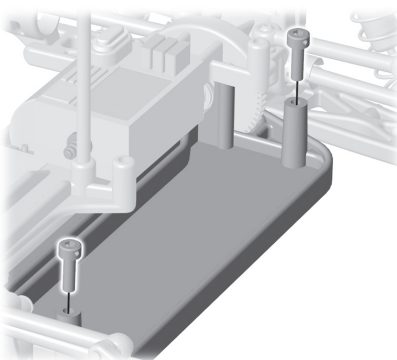


! feed antenna wire as shown

! attach receiver & esc to chassis with servo tape

▶ Step 6

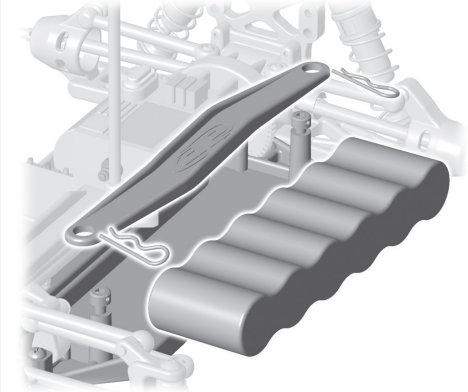
6929, qty 2
4-40 x 3/8" shcs w/hole



▶ Step 7

21013, **21238**, qty 1
6 cell battery brace

21173, qty 2
body clips



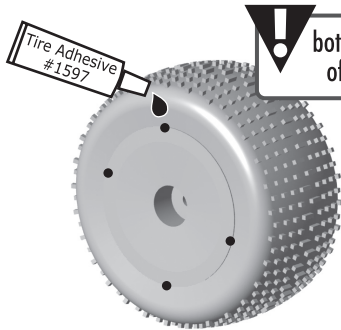
▶ Step 8

21058, qty 1
18T white wheel

21059, qty 1
18T mini pin tire/insert

21251 - front, qty 1
21252 - rear, qty 1
18B spoked wheel

21254, qty 1
18B narrow mini pin tire/insert



! both sides of tires

! **WARNING!**
Follow the adhesive manufacturer's instructions for proper use and safety. Wear eye and hand protection.

▶ Wheels



▶ Tires



▶ Step 9

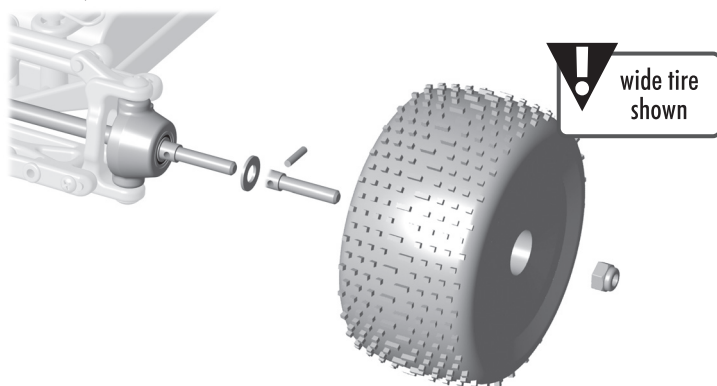
21060, qty 1
18T wheel/tire/insert, mounted
21065, qty 1
18MT wheel/tire/insert, mounted

21096, qty 1
stub axle pin

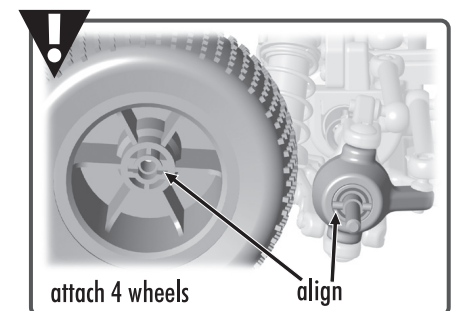
21096, qty 1
stub axle spacer

21253, qty 1
18B narrow wheel/tire/insert, mounted
21255, qty 1
18B standard wheel/tire/insert, mounted

25215, **25392**, qty 1
M3 locknuts



! wide tire shown



attach 4 wheels

align

▶ Step 10 - 18T/MT



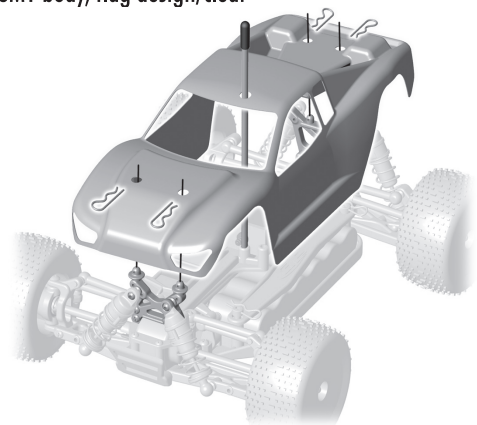
21070/21071, 21074, qty 1
18T body, blue/red/clear
21072/21075, qty 1
18MT body, flag design/clear



21173, qty 4
body clips



21239, qty 1
18MT flag kit



! locate into holes in bed of MT body

▶ Step 10 - 18B



21133, qty 2
M2.5 x 6 bhps
(for wing)



21139, qty 2
M2.6 x 6 steel washer



21264/21257, qty 1
18B wing, carbon, clear



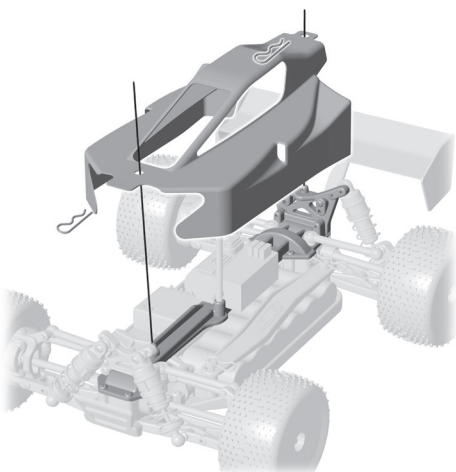
▶ Step 10 - 18B



21173, qty 4
body clips



21260/21261/21256, qty 1
18B body, red, orange, clear



► Available AE Wheel/Tire Guide

Mounted Wheel & Tire Sets

All sets are mounted, glued and are sold in pairs.



21060



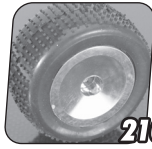
21065



21068



21253



21062

	Black	White	Chrome	Dish	Spoked	Beadlock	Mini-Pin	Foam	Monster Truck	Narrow	Standard	Price
21060		X		X			X				X	\$12.99
21062			X	X			X				X	14.99
21065			X		X			X			X	17.99
21068		X		X			X				X	13.99
21253		X			X		X		X		X	12.99
21255		X			X		X				X	12.99
21271		X		X			X		X		X	12.99
21273			X	X			X		X		X	12.99
21276			X		X		X			X	X	12.99
21277	X				X		X			X		12.99
21280			X		X		X				X	12.99
21281	X				X		X				X	12.99

Wheels

All wheels and are sold in pairs.



21063



21061



21058



21250

	Black	White	Chrome	Dish	Spoked	Beadlock	Narrow	Standard	Price
21058		X		X				X	\$3.99
21061			X	X				X	5.99
21063			X		X			X	7.99
21250		X			X		X		3.99
21251		X		X			X		3.99
21252		X		X				X	3.99
21272			X	X			X		5.99
21274			X	X			X		5.99
21275	X				X		X		3.99
21278			X		X			X	5.99
21279	X				X			X	3.99

Tires

All tires and are sold in pairs.



21064



21059

	Mini-Pin	Monster Truck	Narrow	Standard	Price
21059	X			X	\$9.99
21064		X		X	10.99
21254	X		X		9.99

For additional information and pictures of all Team Associated 1:18 scale wheels and tires, go to:
www.RC10.com -or- www.TeamAssociated.com

► 1:18 Series Body Guide



RC18T



RC18MT



RC18B



- 21070 Painted Truck Body, blue, with decals
- 21071 Painted Truck Body, red, with decals
- 21074 Clear Truck Body, with decals & window mask

- 21072 Painted Monster Truck Flag Body, with decals
- 21075 Clear Monster Truck Body, with decals & window mask
- 21239 Monster Truck Flag Kit

- 21256 Clear Buggy Body/Wing/Dirt Deflectors, with window mask
- 21260 Painted Buggy Body, red, with decals
- 21261 Painted Buggy Body, orange, with decals

- 21257 Clear Buggy Wing & Dirt Deflectors
- 21264 Graphite-Pattern Wing & Dirt Deflectors

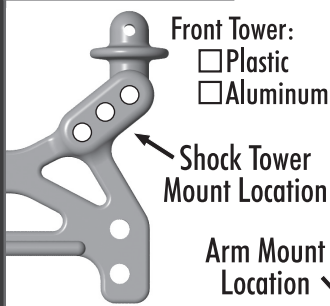
RC 18

For more setups and setup sheets, click here:
www.RC10.com • www.TeamAssociated.com
www.CompetitionX.com

Driver: _____
Track: _____
Event: _____
Conditions: _____
Additional Comments: _____

Date: _____
 Indoor Outdoor

Front Suspension



Front Tower:
 Plastic
 Aluminum

Shock Tower Mount Location

Arm Mount Location

Front Arm:
 Plastic Aluminum



Notes: _____

Upright

Ballstud: Short Long

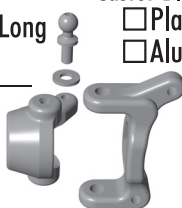
Ballstud Washers: _____

Steering Block:

Plastic
 Aluminum

Caster Block:

Plastic
 Aluminum



Alignment

Camber: _____°

Inner Camber Shims: _____

Toe: _____°

Shocks



Piston: _____ Oil: _____ wt

Spring: _____ Limiters: _____

Ride Height: _____ mm

Shock Body: Plastic Threaded Aluminum

Differential

Diff Setting: _____

Solid Axle

Oneway

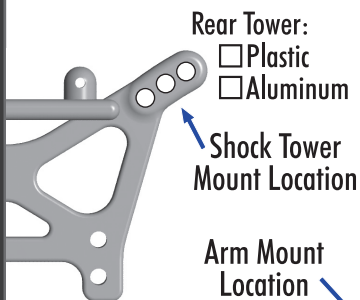
Drivebones

Plastic Dogbones

Aluminum Dogbones

MIP CVD's

Rear Suspension



Rear Tower:
 Plastic
 Aluminum

Shock Tower Mount Location

Arm Mount Location

Rear Arm:
 Plastic Aluminum



Notes: _____

Upright

Hub Carrier:

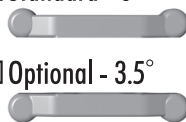
Plastic
 Aluminum



Anti-Squat

Standard - 0°

Optional - 3.5°



Shocks



Piston: _____ Oil: _____ wt

Spring: _____ Limiters: _____

Ride Height: _____ mm

Shock Body: Plastic Threaded Aluminum

Differential

Diff Setting: _____

Solid Axle

Drivebones

Plastic Dogbones

Aluminum Dogbones

MIP CVD's

Body & Wing

Body: _____ Wing: _____

Notes: _____

Tires

Front

Type: _____

Insert: _____

Wheel: _____

Traction Compound: _____

Notes: _____

Rear

Type: _____

Insert: _____

Wheel: _____

Electronics

Motor: _____ Gear: _____ t/ _____ t

Motor Brush: _____ Motor Spring: _____

Motor Timing: _____

Battery: _____ Position: Fwd Back

ESC: _____ Mode: _____

Drag Brake: _____ Initial Brake: _____

Race Comments

Main: _____ Qualifying Position: _____ Finish: _____

Notes: _____

Car Comments

Notes: _____

1:18 Factory Team Parts

21031	FT Aluminum Dogbones, blue	Pr.	\$8.99
21055	FT Titanium Turnbuckle Set	Set	29.99
21093	FT Aluminum Finned Motor Mount, blue	1	14.99
21116	FT Carbide Diff Balls	8	6.99
21214	FT Alum. Threaded Shock Body, front, blue, w/collar	Pr.	12.99
21215	FT Alum. Threaded Shock Body, rear, blue, w/collar	Pr.	12.99
21216	FT Alum. Threaded Shock Kit, front, blue	Pr.	19.99
21217	FT Alum. Threaded Shock Kit, rear, blue	Pr.	19.99
21220	Factory Blue Aluminum Suspension Arms, blue	Pr.	29.99
21221	Factory Blue Aluminum Shock Tower, front (T/MT)	1	24.99
21222	Factory Blue Aluminum Shock Tower, rear (T/MT)	1	29.99
21223	Factory Blue Aluminum Steering Blocks, blue	Pr.	29.99
21224	Factory Blue Aluminum Hub Carriers, blue	Pr.	29.99

21225	Factory Blue Aluminum Caster Blocks, 0 deg, blue	Pr.	\$29.99
21227	Body Mount Supports, for front aluminum tower	2	1.99
21230	MIP CVD Assemblies	Pr.	21.99
21231	MIP Rebuild Kit	Set	3.99
21238	FT Woven Graphite Battery Strap	1	9.99
21240	Factory Billet Aluminum Upgrade Kit (T/MT)	Set	199.99
21241	FT Blue Aluminum Ballstuds	10	12.99
21243	FT Blue Outdrive Sleeves	4	7.99
21265	Factory Blue Aluminum Shock Tower, front (B)	1	17.99
21266	Factory Blue Aluminum Shock Tower, rear (B)	1	29.99
21270	Factory Billet Aluminum Upgrade Kit (B)	Set	199.99
25392	FT Aluminum M3 Locknuts, blue	10	7.99
29137	FT Aluminum XPS ESC Heatsink, blue	1	3.99



21116
Carbide Diff Balls



21223-21224-21225-21221-21222
Alum Steering & Caster Blocks, Hub Carriers, Shock Towers



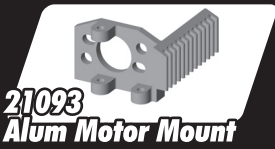
21230
MIP CVD Assemblies



21055
Titanium Turnbuckles



21238
Graphite Battery Strap



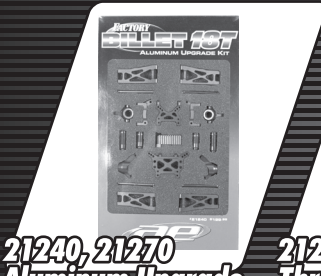
21093
Alum Motor Mount



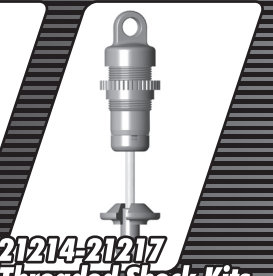
21220
Alum Suspension Arms



21061
Chrome Dish Wheels



21240, 21270
Aluminum Upgrade Kits



21214-21217
Threaded Shock Kits



25392
Alum M3 Locknuts



29137
XPS ESC Heatsink



21031
Aluminum Dogbones

Check our web site at www.TeamAssociated.com or www.RC10.com for the latest updates to our 18T line!!!

Tools

1111	Factory Team Turnbuckle Wrench	1	\$5.99
1541	Factory Team Hex Driver Set, 7 pieces	Set	59.99
1542	Factory Team Hex Driver, .050"	1	10.50
1543	Factory Team Hex Driver, 1/16"	1	10.50
1544	Factory Team Hex Driver, 1.5mm	1	10.50
1545	Factory Team Hex Driver, 5/64"	1	10.50
1546	Factory Team Hex Driver, 3/32"	1	10.50
1547	Factory Team Hex Driver, 2.5mm	1	10.50
1548	Factory Team Hex Driver, 3mm	1	10.50
1561	Factory Team Nut Driver Set, 6 pieces	Set	69.99
1562	Factory Team Nut Driver, 3/16"	1	12.99
1563	Factory Team Nut Driver, 1/4"	1	12.99
1564	Factory Team Nut Driver, 5.5mm	1	12.99
1565	Factory Team Nut Driver, 11/32"	1	12.99
1566	Factory Team Nut Driver, 7mm	1	12.99
1567	Factory Team Nut Driver, 8mm	1	12.99
1593	Factory Team Body Reamer Tip	1	9.95
1594	Factory Team Body Reamer	1	22.00
1737	Factory Team Body Scissors	1	5.99

Shock Oil

5420	10 Weight Silicone Shock Oil, 2oz bottle	1	\$3.50
5421	20 Weight Silicone Shock Oil, 2oz bottle	1	3.50
5422	30 Weight Silicone Shock Oil, 2oz bottle	1	3.50
5423	40 Weight Silicone Shock Oil, 2oz bottle	1	3.50
5425	80 Weight Silicone Shock Oil, 2oz bottle	1	3.50
5427	15 Weight Silicone Shock Oil, 2oz bottle	1	3.50
5428	25 Weight Silicone Shock Oil, 2oz bottle	1	3.50
5429	35 Weight Silicone Shock Oil, 2oz bottle	1	3.50
5435	50 Weight Silicone Shock Oil, 2oz bottle	1	3.50
5436	60 Weight Silicone Shock Oil, 2oz bottle	1	3.50
5437	70 Weight Silicone Shock Oil, 2oz bottle	1	3.50

Apparel

SP409	Associated Team Cap, dark blue. Size: S or L.	1	\$19.99
SP50	AE Flame T-Shirt, black. Size: S/M/L/XL/XXL	1	15.99
SP52	AE Flame T-Shirt, blue. Size: S/M/L/XL/XXL	1	15.99

Decals

3820	AE Logo Decal Sheet	1	\$2.00
3834	AE Blue Embossed Logo Sticker, 4" with silver trim	1	3.00
21069	18T Sticker Sheet & Window Mask	1	3.99
21076	18MT Sticker Sheet & Window Mask	1	3.99